



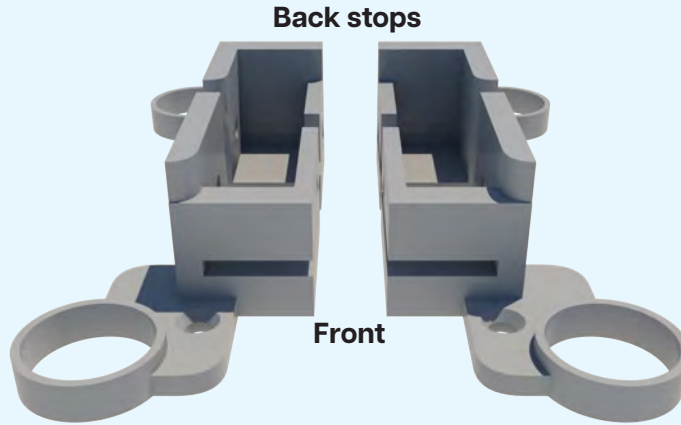
Drawer Kit

Honeycomb Slider Alignment and Drawer will allow you to slide your honeycomb and metal sheet on and off your machine to facilitate cleaning and quick setup for your rotary or taller materials.

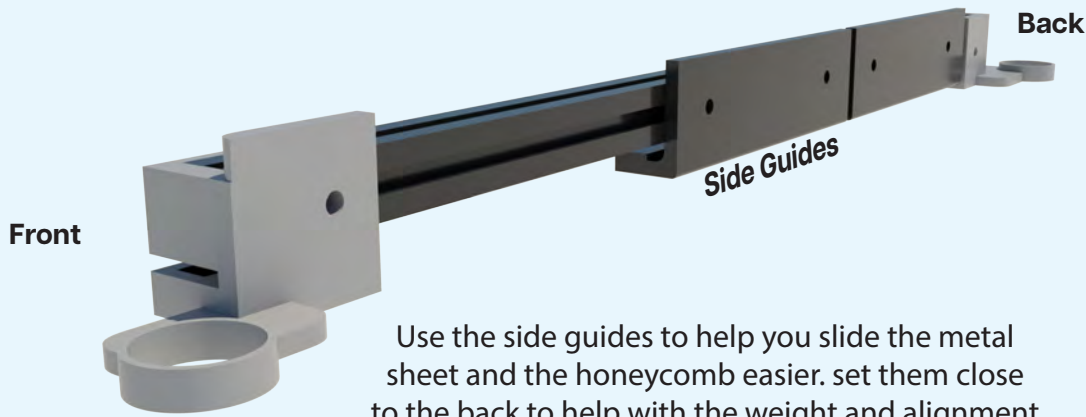
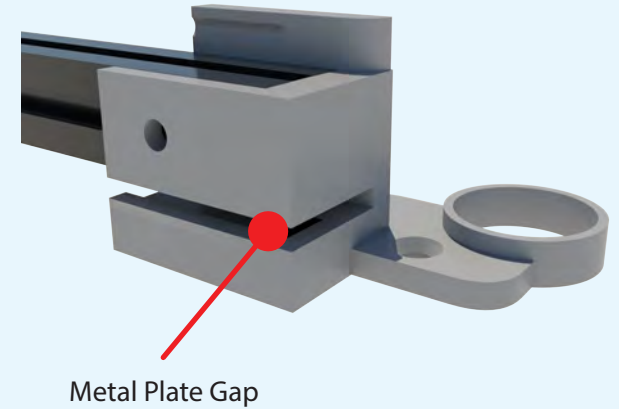
Important Notes

Your machine needs to use leg risers to be able to work (two risers are recommended).

Pay attention to the corners the back has a stop wall to prevent the honeycomb to go to far



Set the rails and use the screws and T-nuts to secured them if needed. make sure the gap for the metal bed is free.



Use the side guides to help you slide the metal sheet and the honeycomb easier. set them close to the back to help with the weight and alignment

